

## Butterfly Isolating Valves with Pneumatic Actuator



- p<sub>max.</sub> PN 16
- t<sub>max.</sub> +160 °C
- Connections:  
flanges DN 40 to DN 300
- Pilot pressure: 6 to 8 bar
- Double acting or  
spring return
- Body:  
GGG-40, aluminium
- Butterfly disc:  
stainless steel, steel
- Seals:  
EPDM, FKM



KOBOLD companies worldwide:

ARGENTINA, AUSTRIA, BELGIUM, CANADA, CHILE, CHINA, CZECHIA,  
FRANCE, GERMANY, GREAT BRITAIN, INDIA, INDONESIA, ITALY,  
MALAYSIA, MEXICO, NETHERLANDS, POLAND, SINGAPORE, SLOVAKIA,  
SPAIN, SWITZERLAND, THAILAND, USA, VENEZUELA, VIETNAM

KOBOLD Messring GmbH  
Nordring 22-24  
D-65719 Hofheim/Ts.  
☎ +49(0)6192 299-0  
☎ +49(0)6192 23398  
E-Mail: info.de@kobold.com  
Internet: www.kobold.com

Model:  
KLP-TA



**Design**

One-piece construction, for mounting between two flanges.

- Operation: pneumatic, single or double acting
- Pilot pressure: 6 to 8 bar
- Pilot media: filtered air
- Mounting position: any
- Options: 3/2-way or 5/2-way solenoid valve; electric/mechanic switches

**Materials**

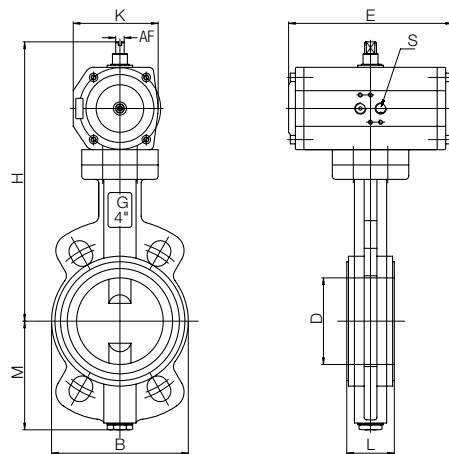
- Body: GGG-40, aluminum alloy
- Disc: 1.4408, St C22 (KLP-TAH only)
- Shaft seal: NBR
- Shaft: stainless steel 1.4016
- Bushing: bronze
- Sleeve: EPDM, FKM



**Technical Details for valve**

- Connections: flanges DN 40 to DN 300  
overall length as per DIN 3202KI
- Temperature range: EPDM: -35°C to +120°C  
FKM: -20°C to +160°C
- Nominal pressure
  - between 2 flanges: max. 16 bar (GGG-body)  
max. 10 bar (Alu-body)
  - end valve: max. 6 bar

**KLP-TA**



**Dimensions**

1 = double acting actuator; 2 = single acting actuator; \* = weight w/o springs

Flange [DN]	D [mm]	B [mm]	L [mm]	H <sup>1</sup> [mm]	H <sup>2</sup> [mm]	M [mm]	E <sup>1</sup> [mm]	E <sup>2</sup> [mm]	K <sup>1</sup> [mm]	K <sup>2</sup> [mm]	S <sup>1</sup> [mm]	S <sup>2</sup> [mm]	AF <sup>1</sup> [mm]	AF <sup>2</sup> [mm]	Weight <sup>1*</sup> [kg]	Weight <sup>2*</sup> [kg]
40	49	84	33	249	263	75	163	197	78	86	1/8	1/8	10	10	3.6	4.4
50	55	102	43	257	271	81	163	197	78	86	1/8	1/8	10	10	4.4	5.2
65	68	116	46	267	293	89	163	193	78	100	1/8	1/4	10	10	4.9	6.6
80	81	133	46	291	318	110	197	231	86	115	1/8	1/4	10	10	6.2	8.3
100	101	160	52	318	361	128	193	266	100	143	1/4	1/4	10	10	9.1	13.0
125	126	190	56	346	374	140	231	266	115	143	1/4	1/4	10	19	11.5	14.3
150	150	214	56	362	410	155	231	300	115	137	1/4	1/4	10	20	13.8	18.4
200	200	265	60	438	448	190	266	300	143	137	1/4	1/4	19	20	23.1	24.9
250	250	320	68	478	516	220	300	380	137	172	1/4	1/4	19	28	30.9	38.1
300	298	373	78	518	603	247	300	478	137	224	1/4	1/4	20	32	38.9	61.2

**Order Details** (example: KLP-TA 7 E F40 C A 0)

Order no.	Body	Seal	Connection size	Operation	Solenoid valve	Limit switch
KLP-TA	7 = Aluminium H = GGG-40	E = EPDM F = FKM	F40 = DN 40 F50 = DN 50 F65 = DN 65 F80 = DN 80 F1H = DN 100 F1Z = DN 125 F1F = DN 150 F2H = DN 200 F2F = DN 250 F3H = DN 300	C = single acting, default CLOSED	A = without	0 = without 2 = 2 limit switches 3 = 2 limit switches EEx d II C T6
				O = single acting, default OPEN	B = 3/2-way (24 V <sub>DC</sub> ) C = 3/2-way (230 V <sub>AC</sub> ) D = 3/2-way (24 V <sub>DC</sub> EEx m II T4) E = 3/2-way (230 V <sub>AC</sub> EEx m II T4)	
				D = double acting	F = 5/2-way (24 V <sub>DC</sub> ) G = 5/2-way (230 V <sub>AC</sub> ) H = 5/2-way (24 V <sub>DC</sub> EEx m II T4) K = 5/2-way (230 V <sub>AC</sub> EEx m II T4)	